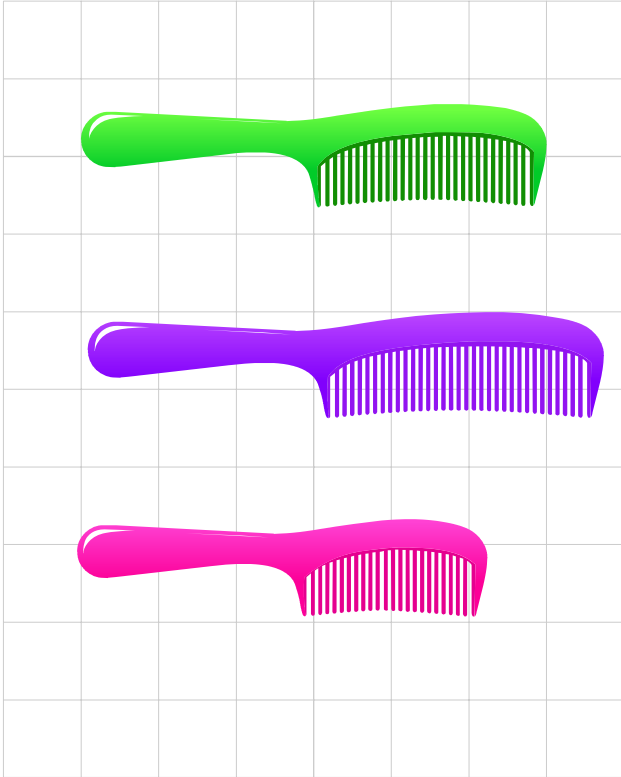


Name: _____

Date: _____

Time: ____ : ____ - ____ : ____

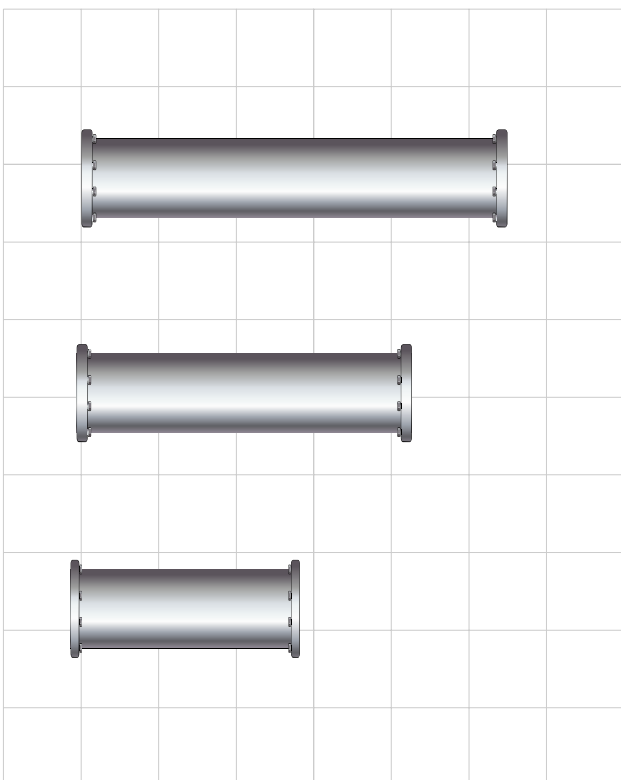
Match the following.



LONG

LONGEST

LONGER



LONGER

LONG

LONGEST