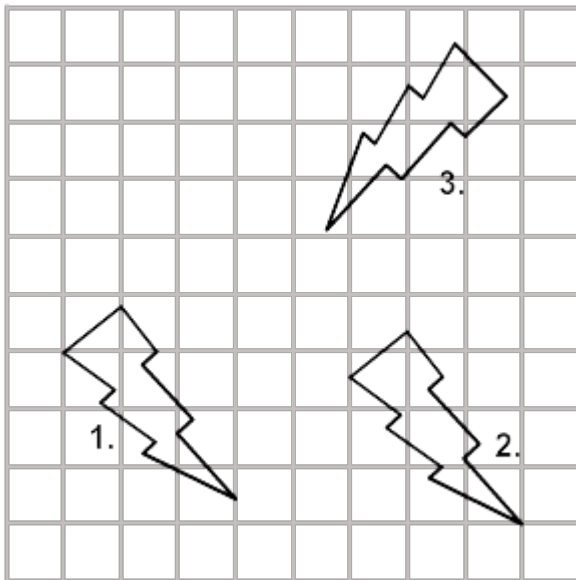


Combinations of Transformations

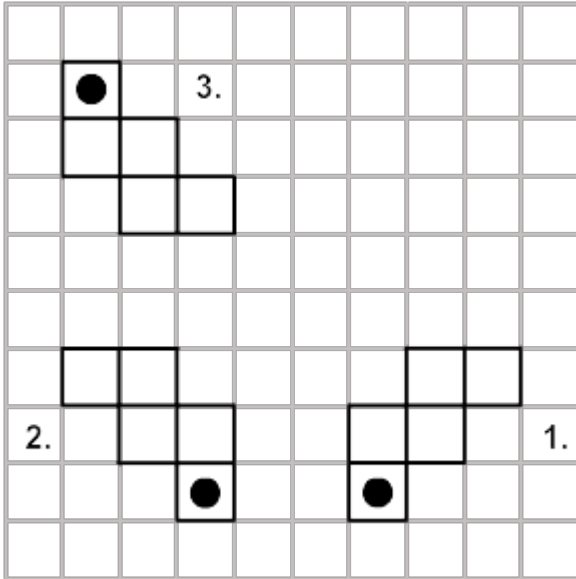
What combination of transformations is shown in the given image?

1.



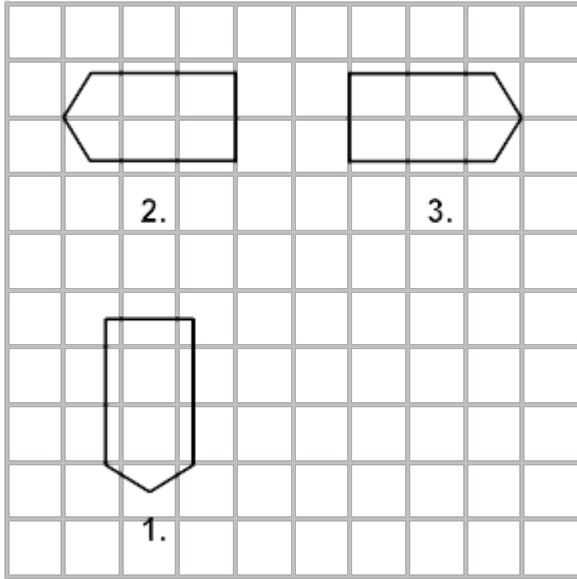
- Translation and then rotation
- Rotation and then reflection
- Translation and then reflection
- Reflection and then translation

2.



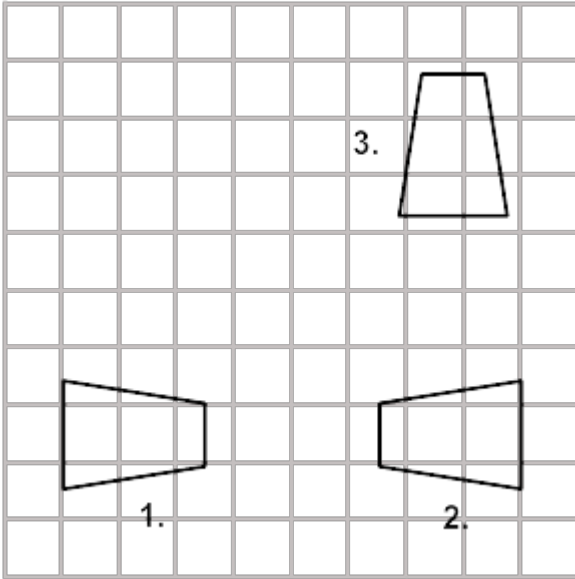
- Reflection and then translation
- Reflection and then rotation
- Rotation and then translation
- Translation and then reflection

3.



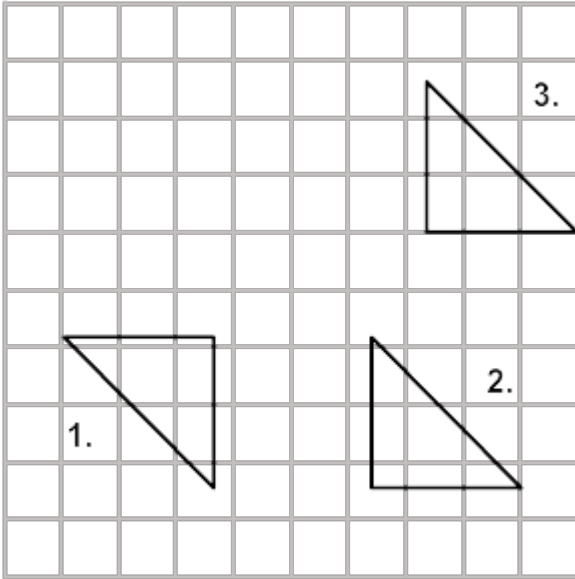
- Reflection and then translation
- Rotation and then translation
- Translation and then rotation
- Rotation and then reflection

4.



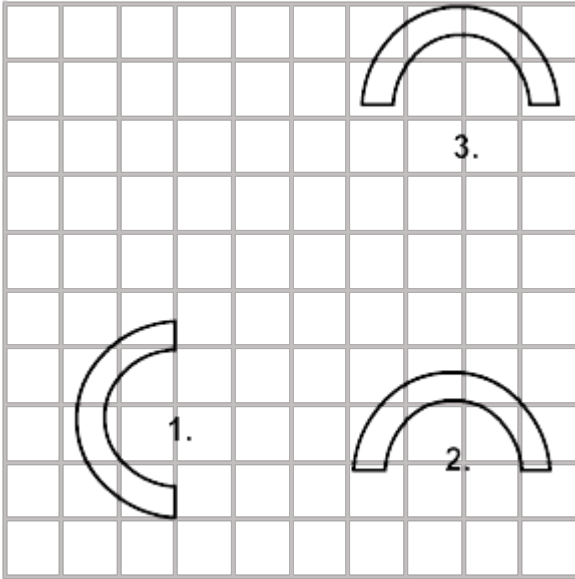
- Rotation and then translation
- Translation and then rotation
- Reflection and then rotation
- Translation and then reflection

5.



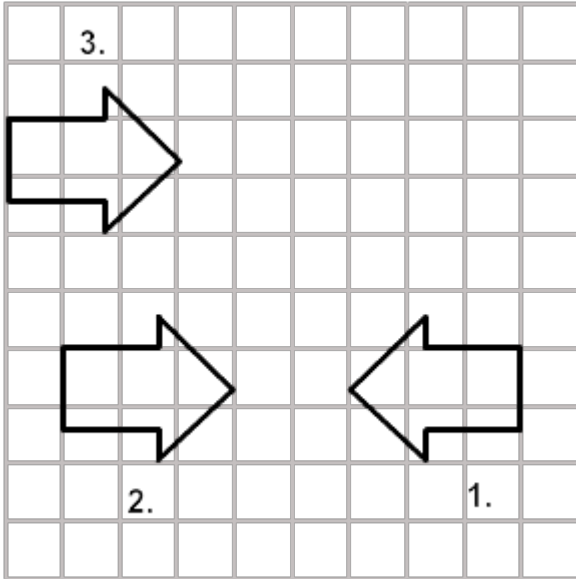
- Reflection and then translation
- Rotation and then reflection
- Translation and then reflection
- Rotation and then translation

6.



- Reflection and then rotation
- Rotation and then translation
- Rotation and then reflection
- Translation and then rotation

7.



- Rotation and then translation
- Reflection and then translation
- Translation and then reflection
- Reflection and then rotation